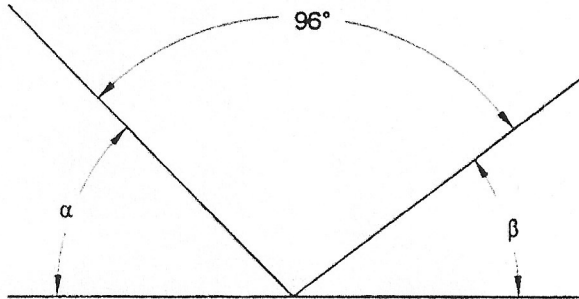


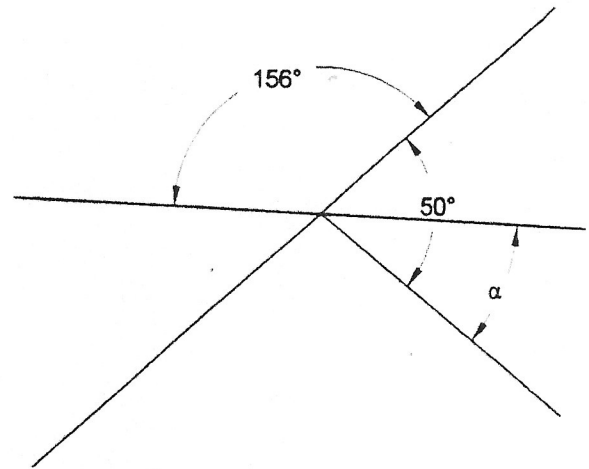
Winkel an zwei Geraden

1 $\alpha = 2\beta$



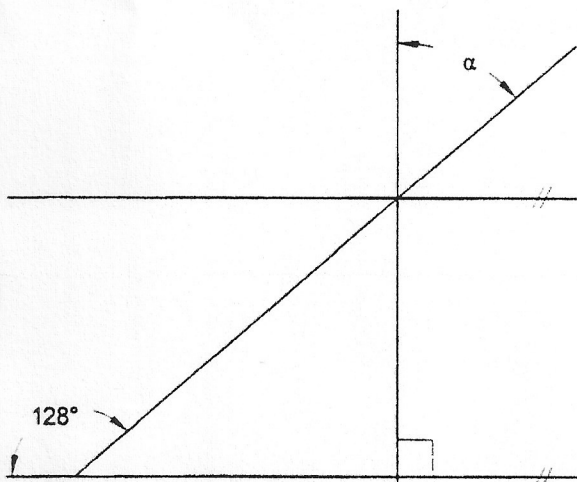
$\alpha = 56^\circ$ $\beta = 28^\circ$

2



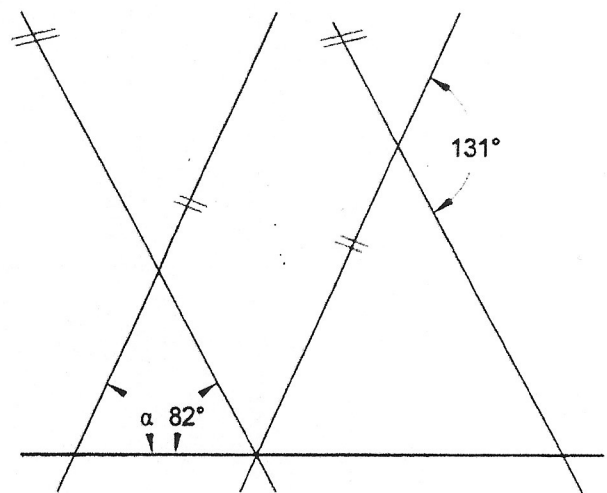
$\alpha = 26^\circ$

3



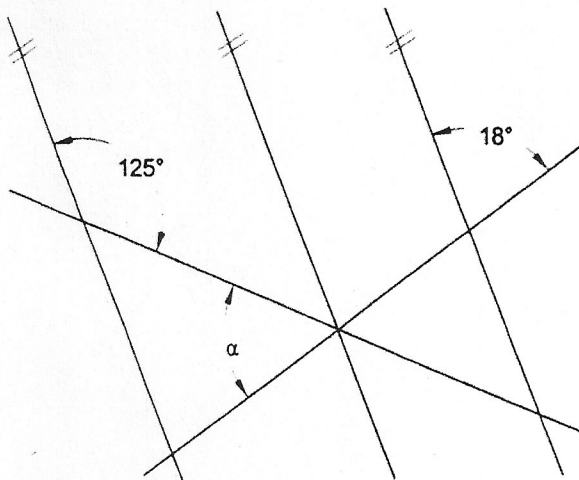
$\alpha = 38^\circ$

4



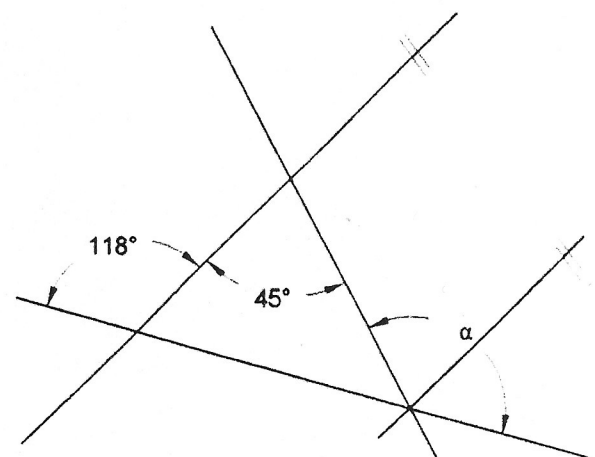
$\alpha = 49^\circ$

5



$\alpha = 107^\circ$

6



$\alpha = 107^\circ$