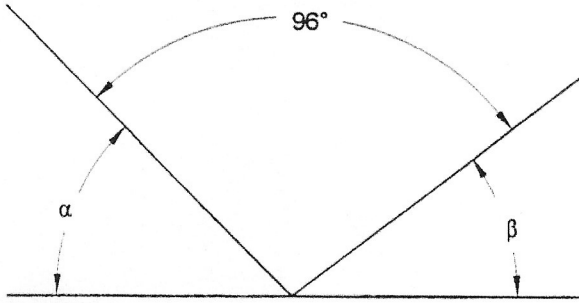


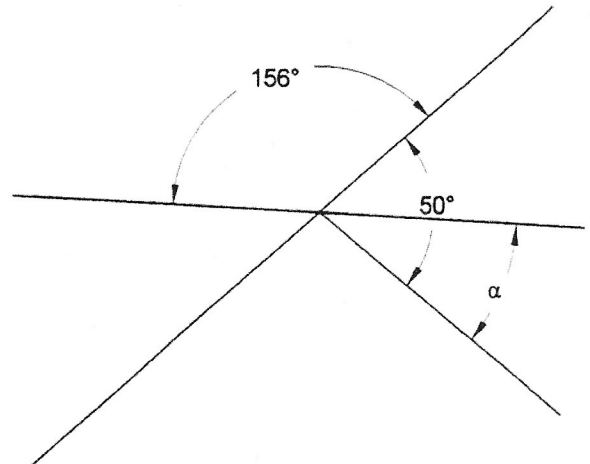
Winkel an zwei Geraden

1 $\alpha = 2\beta$



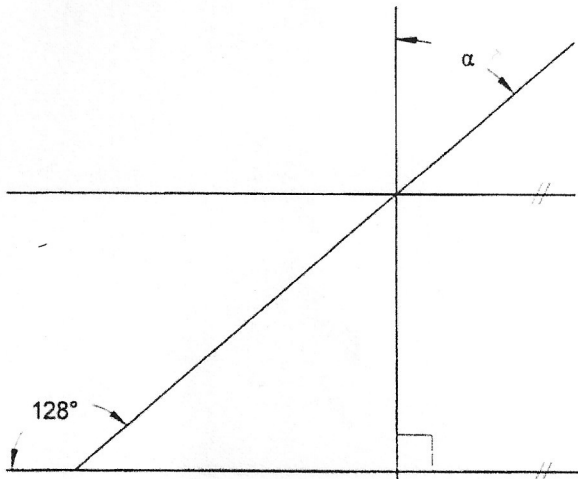
$\alpha =$ _____ $\beta =$ _____

2



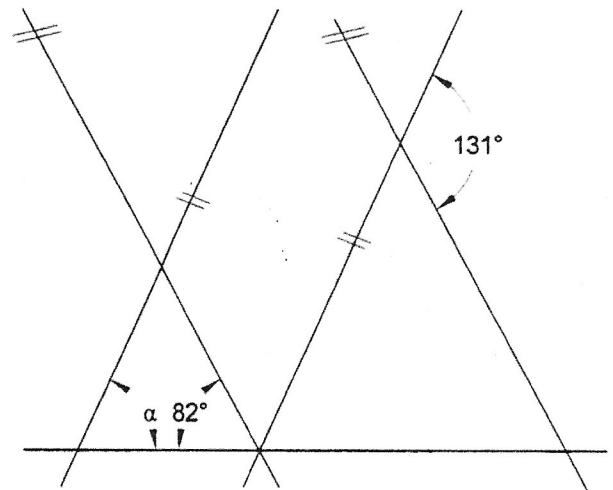
$\alpha =$ _____

3



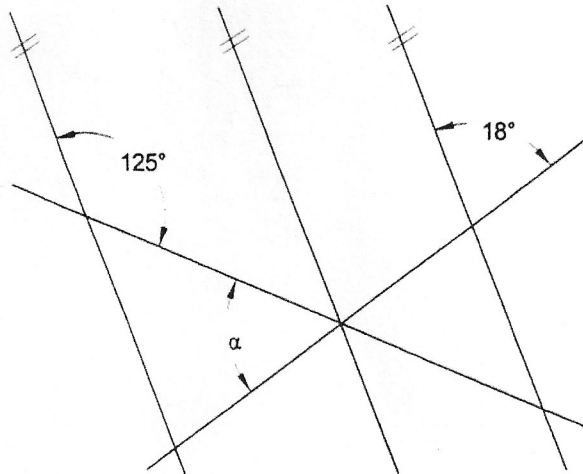
$\alpha =$ _____

4



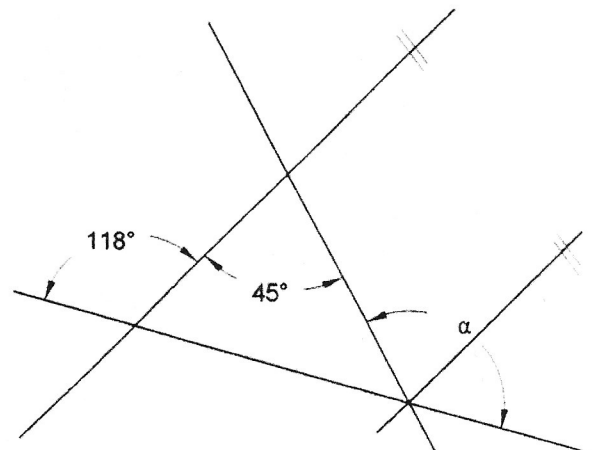
$\alpha =$ _____

5



$\alpha =$ _____

6



$\alpha =$ _____