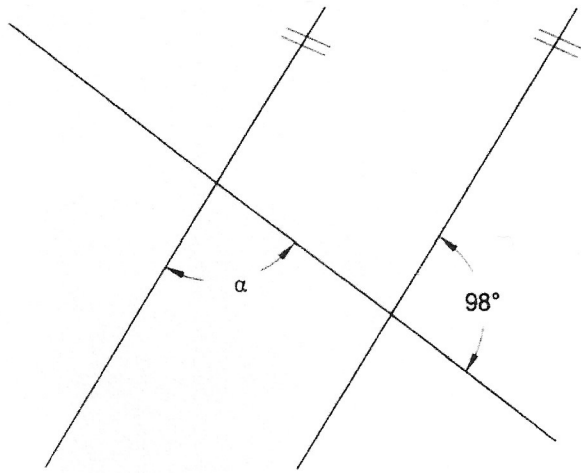


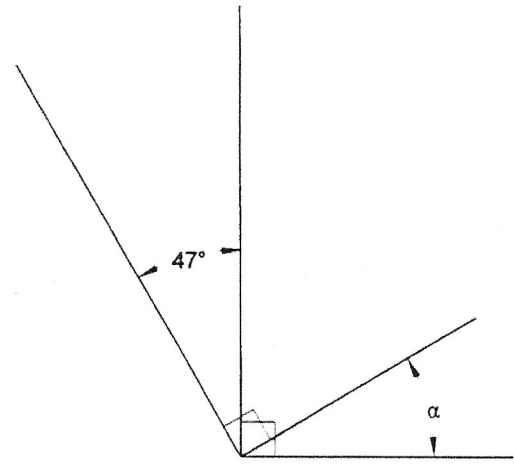
Winkel an Parallelen

7



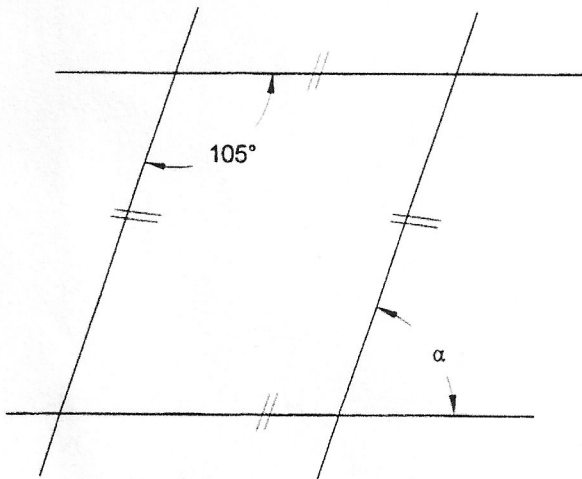
$\alpha =$

8



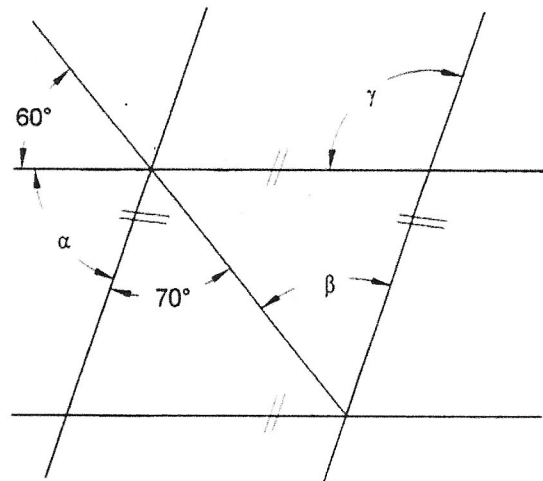
$\alpha =$

9



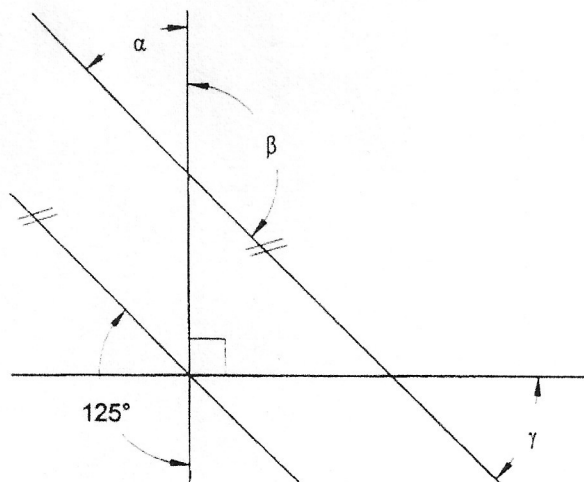
$\alpha =$

10



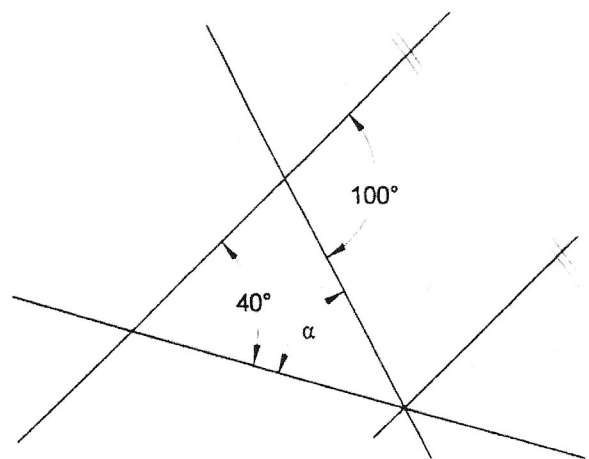
$\alpha =$ $\beta =$ $\gamma =$

11



$\alpha =$ $\beta =$ $\gamma =$

12



$\alpha =$