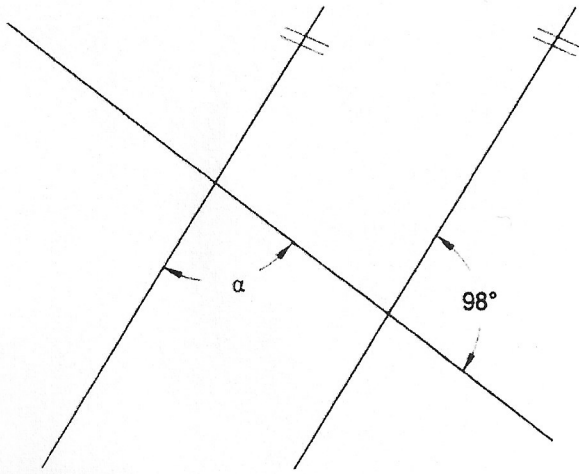


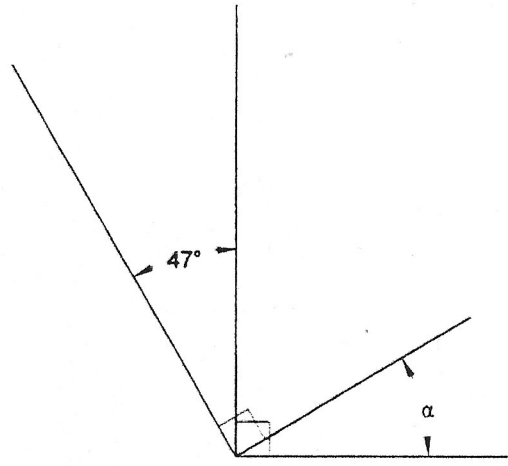
Winkel an Parallelen

7



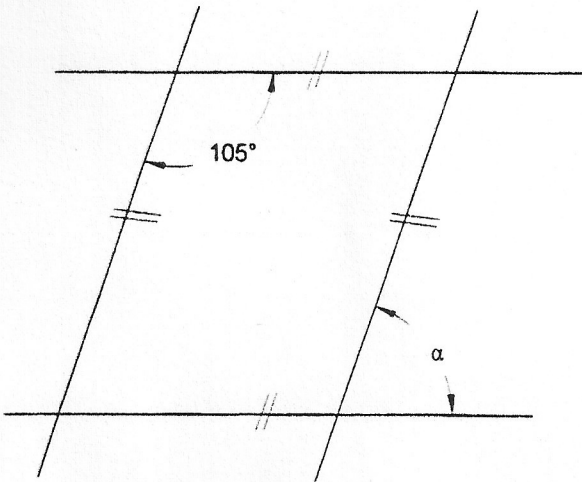
$\alpha = 82^\circ$

8



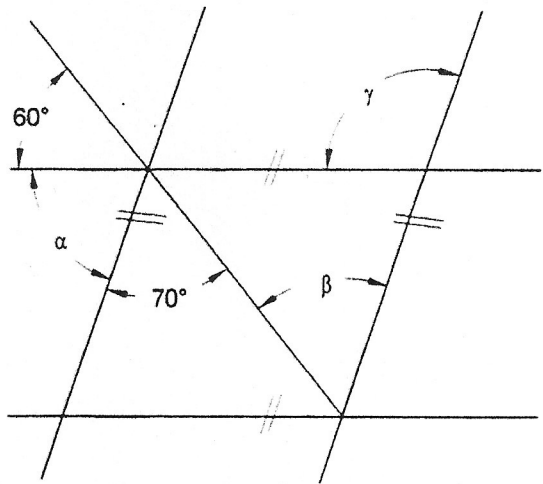
$\alpha = 47^\circ$

9



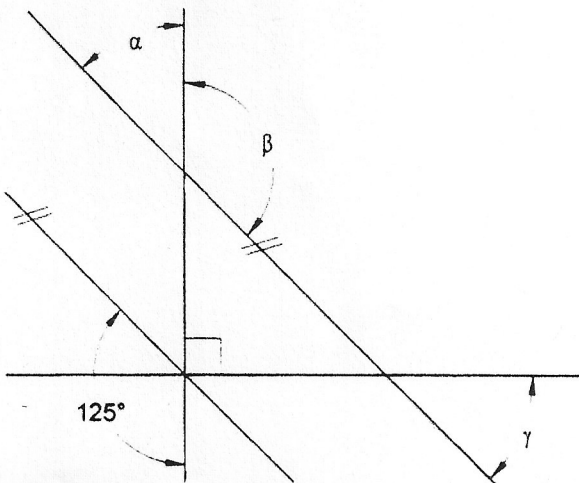
$\alpha = 75^\circ$

10



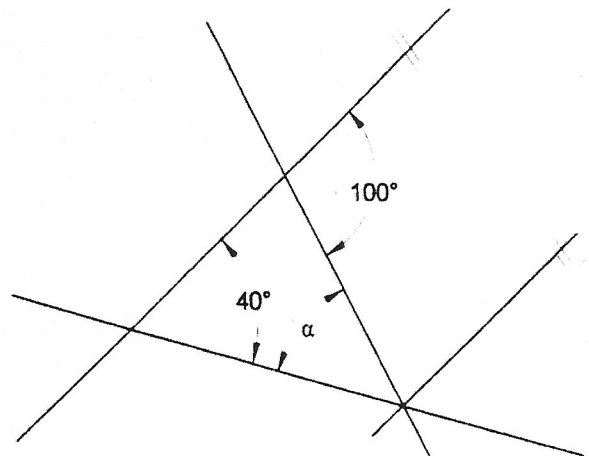
$\alpha = 50^\circ \quad \beta = 70^\circ \quad \gamma = 130^\circ$

11



$\alpha = 55^\circ \quad \beta = 125^\circ \quad \gamma = 35^\circ$

12



$\alpha = 60^\circ$